

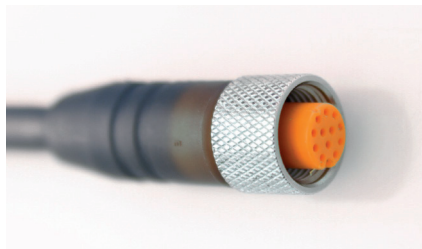
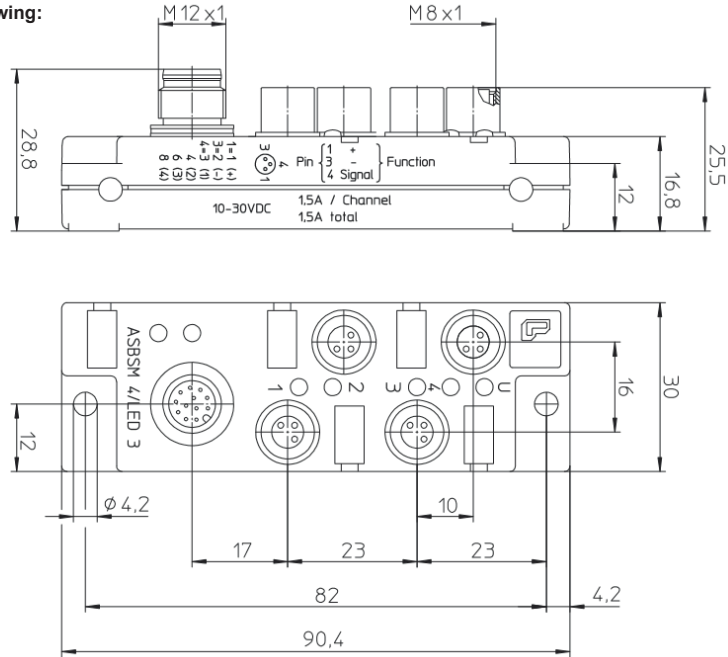
# Distribution system & connection cable M12-12-pin - Technical data



- Distribution system VS-4xM8/3-pin-1xM12/12-pin:
  - 4x 3-pin M8 socket
  - 1x 12-pin M12 plug
- IP 67 (Only in screwed condition with related counterpiece or protective caps)
- Status-LED for operation voltage and switch state of respective ports



Technical drawing:



- Connection cable M12-12-pin
- available lengths: 2 m, 5 m, 10 m
- PUR-cable with M12-12-pin socket
- oil-resistant, drag chain suitable

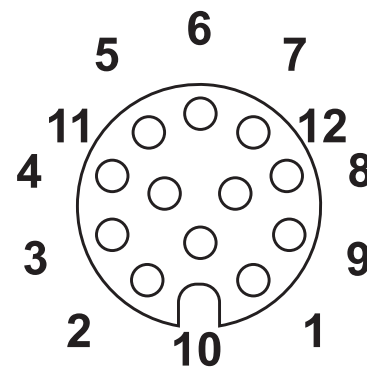


Price list: page 385 of the main product catalogue

## Pin- / Wire assignment for LUMIMAX<sup>®</sup> lightings with 3-pin M8 plug

Connection cable M12 12-pin      In combination with distribution system VS-4xM8/3pol-1xM12/12pol      Connection cable M12 12-pin socket assignment

PIN	Wire colour	
1	brown	U <sub>B</sub> (green status LED)
2	blue	GND
3	white	PORT1 - ON/OFF (switch input) *
4	green	PORT2 - ON/OFF (switch input) *
5	pink	nc
6	yellow	PORT3 - ON/OFF (switch input) *
7	black	nc
8	grey	PORT4 - ON/OFF (switch input) *
9	red	nc
10	purple	nc
11	grey/pink	nc
12	red/blue	nc



\* The yellow status LED signals the present of switch signals at the respective port.