

# Ring Flash Light CRC70FL - Technical data



- LED Ring Light for flash operation
- light field diameter 66 mm - 118 mm
- 132 high performance 5 mm LEDs
- applicable as a clear, diffused, polarised or focusing incident illumination
- integrated illumination controller
- brightness can be regulated internally (potentiometer) or externally with a VC analogue input
- adjustable flash times up to 220 µs
- different trigger modes
- robust industrial model, Aluminium casing, IP40
- 150 mm cable with an M16 12-pin plug
- drag chain connection cable with an M16 12-pin socket in different lengths available as accessory ↪ [please note page 211 of the main product catalogue](#)

**LIFETIME**  
75.000h+

x=0,31  
y=0,31

470nm

525nm

625nm

870nm

**Strobe / Flash**

**CONTROLLER**  
INSIDE

With the following table you can assemble your desired type of lighting:\*  
 \* A detailed product key explanation can be found on ↪ [Page 4](#) of the main product catalogue.

Available illumination variants					
Model	Diffusing panel	Illumination colour	Brightness regulation	Trigger	Flash time
CRC70FL	ALK ALD ALF100 POL	R IR870 W B G	Potentiometer, optional VC	SPS TTL	100 220

<b>Operation mode</b>	Flash	
<b>Operation voltage</b>	10...30 V DC	wide range voltage input
<b>Max. current</b>	1,0 A	at 24 V
<b>Trigger modes</b>	TTL / SPS	TTL: rising slope at trigger input, min. 2,8 V DC, max. 30 V DC SPS: rising slope at trigger input, min. 15 V DC, max. 30 V DC
<b>Flash times</b>	10 - 100 µs / 20 - 220 µs	adjustable with potentiometer, max. flash frequency 100 Hz or 35 Hz
<b>Brightness regulation</b>	Potentiometer / VC	Potentiometer: 0...100 % (deactivated VC - models) or VC: 0...100 % when connected to a voltage of 2...10 V DC on the VC analogue input (potentiometer deactivated)
<b>Ambient temperature</b>	5 - 45 °C / 37 - 113 °F	non-condensing
<b>Weight</b>	0,55 kg	
<b>Protection class</b>	IP 40	
<b>Connection</b>	M16 12-pin plug	150 mm drag chain cable with an M16 12-pin plug, IP67

**Pin arrangement M16 plug**

A+K	white	GND	GND Operation voltage
B+L	brown	U <sub>B</sub>	Operation voltage
C	green	NC	NC
D	yellow	VC	Brightness regulation 2...10 V DC
E	grey	NC	NC
F	pink	+Trigger SPS / TTL	SPS >15 V / TTL >3 V, rising slope
G	blue	GND Trigger	GND trigger circuit
H	Shield	Shield	Shield connection
J	nc	NC	NC
M	nc	NC	NC

Price list: [page 324 of the main product catalogue](#)

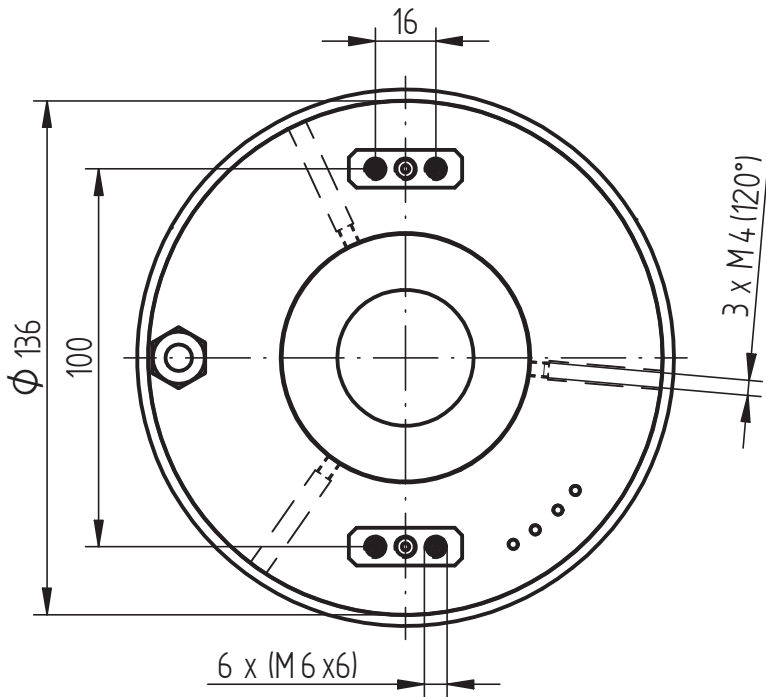


*T1-Adapter cable:  
 starting on page 212 of the main product catalogue*

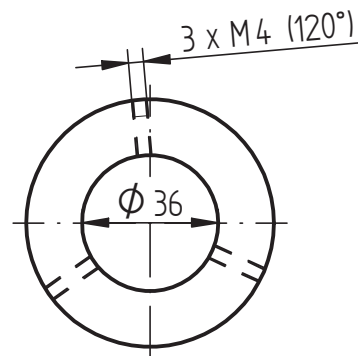
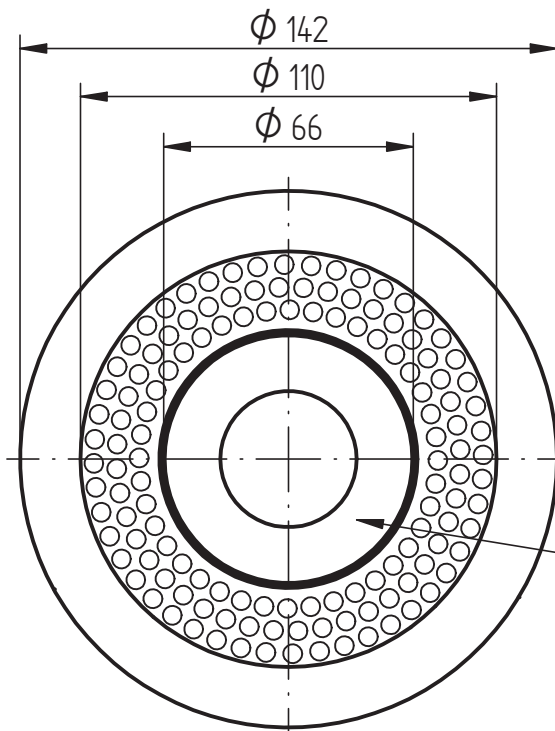
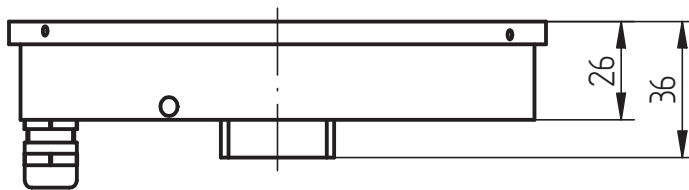


*Mounting solution:  
 starting on page 223 of the main product catalogue*

# Ring Flash Light CRC70FL - Technical drawing



Fastening possibilities:  
 - clamp on adapter ring  
 via 3 x M4 set screw  
 - fastening socket



Adapter ring:  
 - clamp on camera neck  
 via 3 x M4 set screw