

Ring Light CRC50 - Technical data



- LED Ring Light for continuous / switch operation
- light field diameter 36 mm - 78 mm
- 80 high performance 5 mm LEDs in 3 LED rings separately switchable
- applicable as a clear, diffused, polarised or focusing incident illumination
- integrated illumination controller
- brightness can be regulated internally (potentiometer) or externally with a VC analogue input
- robust industrial model, Aluminium casing, IP40
- 150 mm cable with an M16 12-pin plug
- drag chain connection cable with an M16 12-pin socket in different lengths available as accessory ↻ [please note page 211 of the main product catalogue](#)

LIFETIME
75.000h+

x=0,31
y=0,31

470nm

525nm

625nm

870nm

CONTINUOUS

SWITCH

CONTROLLER
INSIDE



Price list: page 315 of the main product catalogue

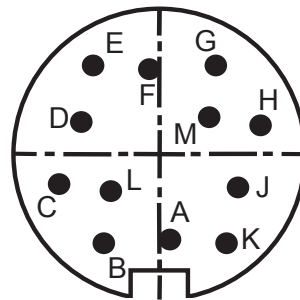
With the following table you can assemble your desired type of lighting:*

* A detailed product key explanation can be found on [Page 4](#) of the main product catalogue.

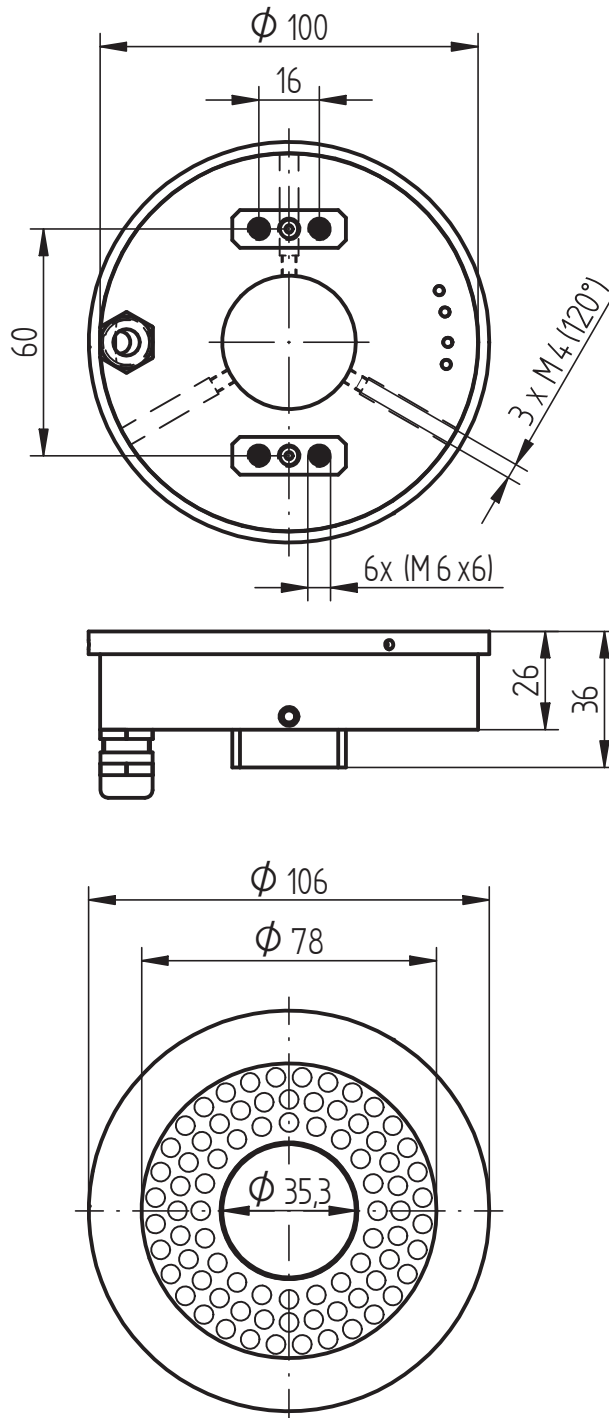
Available illumination variants			
Model	Diffusing panel	Illumination colour	Brightness regulation
CRC50	ALK ALD ALF100 POL	R IR870 W B G	Potentiometer, optional VC

Operation mode	Continuous / switch	VC analogue input with up to 30 V DC
Operation voltage	10...30 V DC	wide range voltage input
Max. current	0,35 A	at 24 V
Brightness regulation	Potentiometer / VC	Potentiometer: 0...100 % (deactivated with VC - models) or VC: 0...100 % when connected to a voltage of 1...10 V DC on the VC analogue input (potentiometer deactivated)
Switching (Load-free)	20ms on time up to continuous operation, VC-voltage 10-30 VDC	Switching rate max. 10 Hz; brightness regulation via VC-input not possible (potentiometer must be deactivated)
Ambient temperature	5 - 45 °C / 37 - 113 °F	non-condensing
Weight	0,3 kg	
Protection class	IP 40	
Connection	M16 12-pin plug	150 mm drag chain cable with an M16 12-pin plug, IP67

Pin arrangement M16 plug			
A+K	white	GND	GND Operation voltage
B+L	brown	U _B	Operation voltage
C	green	NC	NC
D	yellow	VC	Brightness regulation 1...10 V DC
E	grey	NC	NC
F	pink	NC	NC
G	blue	NC	NC
H	Shield	Shield	Shield connection
J	nc	NC	NC
M	nc	NC	NC



Ring Light CRC50 - Technical drawing



Fastening possibilities:

- clamp on camera neck via 3 x M4 set screw- fastening socket