

# Ring Light CRC70 - Technical data



- LED Ring Light for continuous / switch operation
- light field diameter 66 mm - 110 mm
- 132 high performance 5 mm LEDs in 3 LED rings separately switchable
- applicable as a clear, diffused, polarised or focusing incident illumination
- integrated illumination controller
- brightness can be regulated internally (potentiometer) or externally with a VC analogue input
- robust industrial model, Aluminium casing, IP40
- 150 mm cable with an M16 12-pin plug
- drag chain connection cable with an M16 12-pin socket in different lengths available as accessory *← please note page 211 of the main product catalogue*

**LIFETIME**  
75.000h+

x=0,31  
y=0,31

470nm

525nm

625nm

870nm

**CONTINUOUS**

**SWITCH**

**CONTROLLER**  
INSIDE



*Price list: page 323 of the main product catalogue*

With the following table you can assemble your desired type of lighting:\*

\* A detailed product key explanation can be found on *← Page 4* of the main product catalogue.

Available illumination variants			
Model	Diffusing panel	Illumination colour	Brightness regulation
CRC70	ALK ALD ALF100 POL	R IR870 W B G	Potentiometer, optional VC

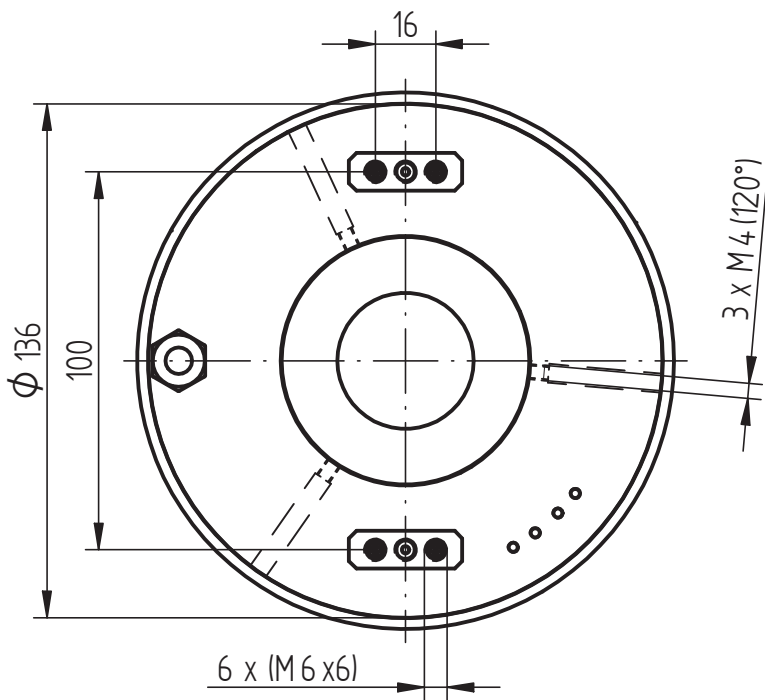
<b>Operation mode</b>	Continuous / switch	VC analogue input up to 30 V DC
<b>Operation voltage</b>	10...30 V DC	wide range voltage input
<b>Max. current</b>	0,5 A	at 24 V
<b>Brightness regulation</b>	Potentiometer / VC	Potentiometer: 0...100 % (deactivated with VC - models) or VC: 0...100 % when connected to a voltage of 1...10 V DC on the VC analogue input (potentiometer deactivated)
<b>Switching (Load-free)</b>	20ms on time up to continuous operation, VC-voltage 10-30 VDC	Switching rate max. 10 Hz; brightness regulation via VC-input not possible (potentiometer must be deactivated)
<b>Ambient temperature</b>	5 - 45 °C / 37 - 113 °F	non-condensing
<b>Weight</b>	0,55 kg	
<b>Protection class</b>	IP 40	
<b>Connection</b>	M16 12-pin plug	150 mm drag chain cable with an M16 12-pin plug, IP67

Pin arrangement M16 plug			
A+K	white	GND	GND Operation voltage
B+L	brown	U <sub>B</sub>	Operation voltage
C	green	NC	NC
D	yellow	VC	Brightness regulation 1...10 V DC
E	grey	NC	NC
F	pink	NC	NC
G	blue	NC	NC
H	Shield	Shield	Shield connection
J	nc	NC	NC
M	nc	NC	NC

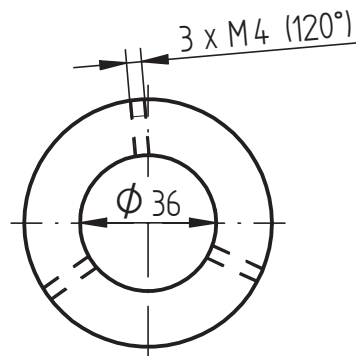
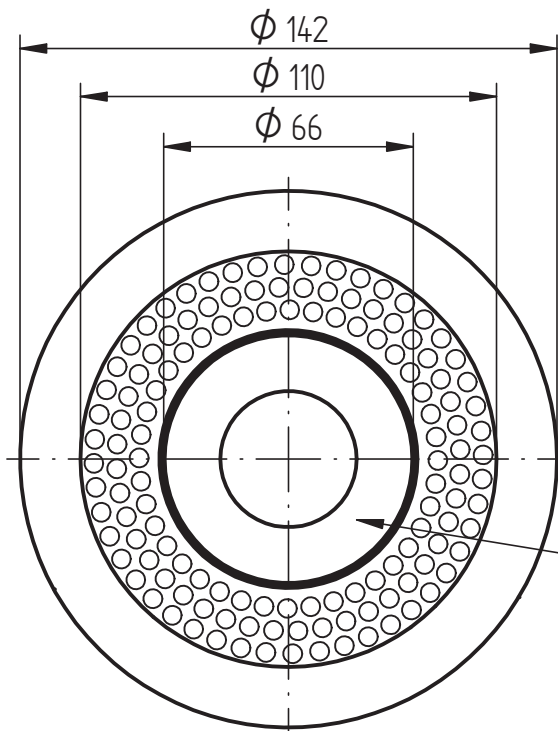
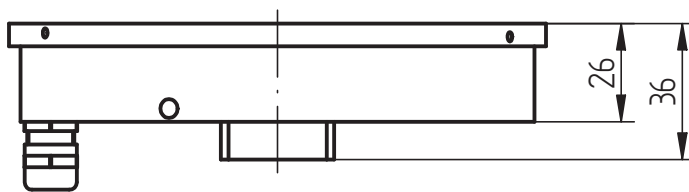


*Mounting solution:  
starting on page 223 of the main product catalogue*

## Ring Light CRC70 - Technical drawing



Fastening possibilities:  
- clamp on adapter ring  
via 3 x M4 set screw  
- fastening socket



Adapter ring:  
- clamp on camera neck  
via 3 x M4 set screw