

LED Ring Light LR50 - Technical data



- LED Ring Light for continuous / switch operation
- 16 high performance Power LEDs
- applicable as incident illumination, suited for matrix camera applications
- different lenses available as accessories (see table)
- integrated illumination controller
- brightness can be regulated internally (potentiometer) or externally with a 1-10 V VC analogue input
- robust industrial model, Aluminium casing, IP67
- 150 mm cable with an M16 12-pin plug
- drag chain connection cable with an M16 12-pin socket in different lengths available as accessory [↩ please note page 211 of the main product catalogue](#)

LIFETIME
50.000h+

x=0,31
y=0,31

470nm

528nm

625nm

850nm

CONTINUOUS

SWITCH

IP67

CONTROLLER
INSIDE

With the following table you can assemble your desired type of lighting:*

* A detailed product key explanation can be found on [↩ Page 4](#) of the main product catalogue.

Available illumination variants			
Model	Diffusing panel (optional)	Radiation angles (°) Ancillary lenses	Illumination colour
LR50	ALK (scope of supply) ALD ALHD ALF100 POL	16° ● , 23° ● , 44° ●	R W B G IR850

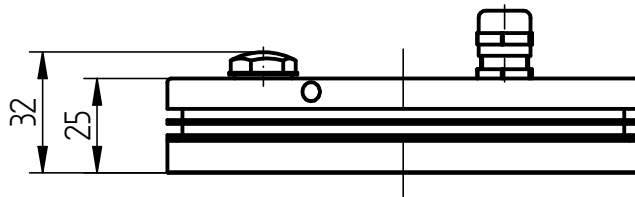
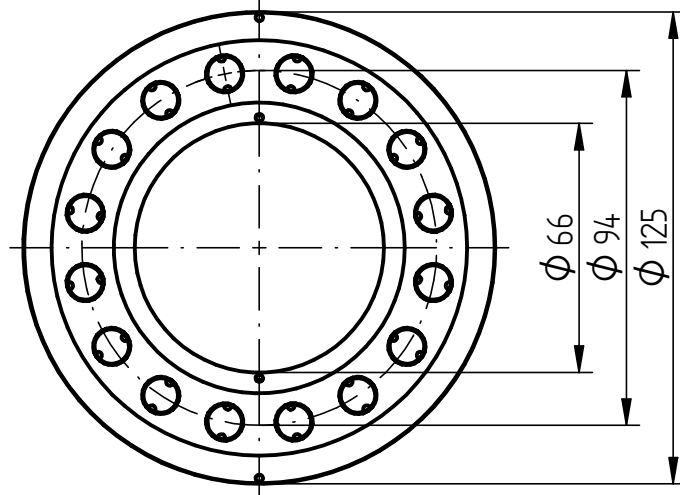
Operation mode	Continuous / switch	switch works over fast TTL and SPS inputs
Operation voltage	19...30 V DC	wide range voltage input
Max. current	1 A	at 24 V
Brightness regulation	Potentiometer / VC	Potentiometer: 0...100 % or VC: 0 – 100 % with VC-analogue input 1...10 V DC VC-voltage > 1 VDC -> potentiometer deactivated automatically, recommendation: turn the potentiometer fully anti-clockwise (left)
Switching (Load-free)		switch time follows the switch signal
Ambient temperature	5 - 45 °C / 37 - 113 °F	non-condensing
Weight	0,35 kg / 0,77 lbs	
Protection class	IP67	
Connection	M16 12-pin plug	150 mm drag chain cable with an M16 12-pin plug, IP67

Price list: page 310 of the main product catalogue

*Mounting solution:
starting on page 225 of the main product catalogue*

Pin arrangement M16 plug			
A+K	white	GND	GND Operation voltage
B+L	brown	U _B	Operation voltage
C	green	NC	NC
D	yellow	VC	Brightness regulation 1...10 V DC
E	grey	+ ON/OFF TTL	Switching input, TTL > 3 V DC
F	pink	+ ON/OFF SPS	Switching input, SPS > 15 V DC
G	blue	GND ON/OFF	GND switch circuit
H	Shield	Shield	Shield connection
J	nc	NC	NC
M	nc	NC	NC

LED Ring Light LR50 - Technical drawing



Fastening possibilities:
- clamp on adapter ring
via 3x M4 set screw

