

LUMIMAX[®] T1-Adapter cable IS 5x and IS 7x - Technical Data



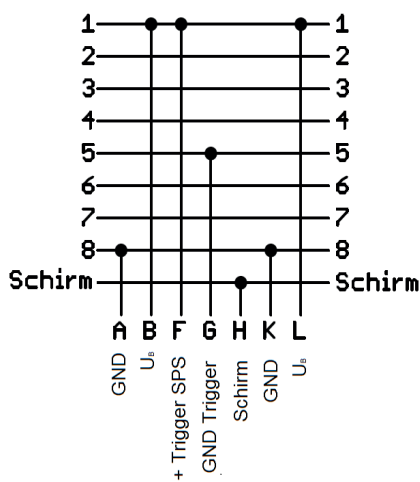
- enables a direct connection of LUMIMAX[®] LED lights* to Cognex InSight 5x and 7x cameras
** exceptions: SQ2216/FL, SQCB2216/FL, LG3020/FL, LGCB3020/FL, LG4030/FL, LGCB4030/FL, LB500/FL as well as all lightings which need an external controller*
- configuration for other camera types on request
- no additional wiring effort necessary
- providing the power supply and the strobe signal (HS-Out 1 for IS 5x, IS 76xx and IS 78xx and HS-Out 0 for IS 70xx, IS 72xx and IS 74xx) for the light
- max. 10 m camera connection cable permitted



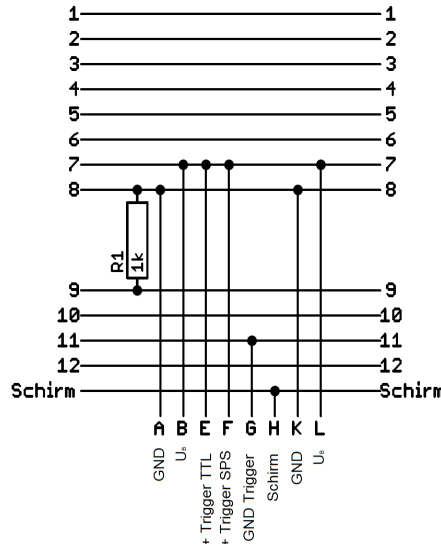
Price list: page 385 of the main product catalogue

Internal wiring and pin assignment

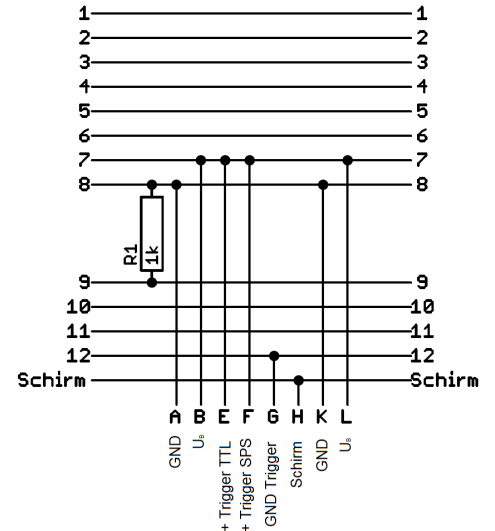
IS 5x
 T1-Adapter cable IS5x



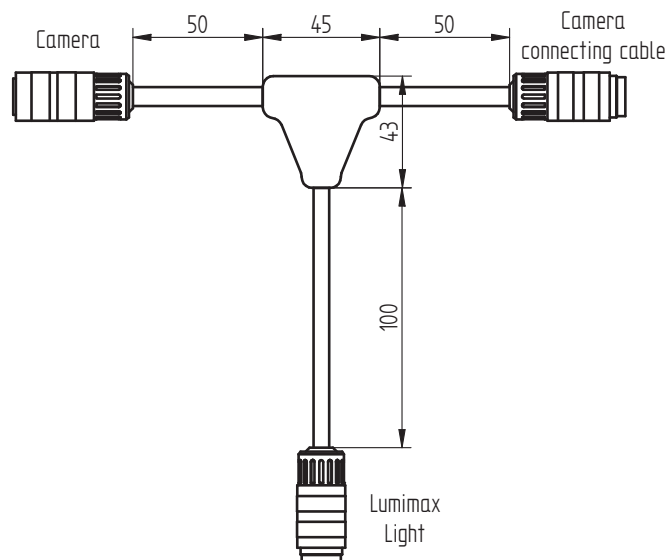
IS 70xx, IS 72xx, IS 74xx
 T1-Adapter cable IS7x - GEN1



IS 76xx, IS 78xx
 T1-Adapter cable IS7x - GEN2



Technical drawing



LUMIMAX[®] T1-Adapter cable VeriSens XC - Technical Data

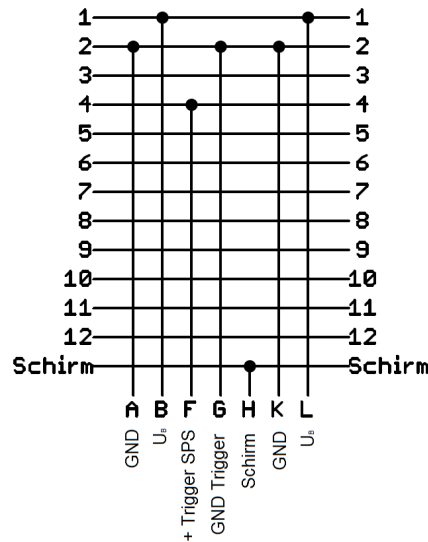


- enables a direct connection of LUMIMAX[®] LED lights* to Baumer VeriSens XC cameras
- * exceptions: SQ2216/FL, SQCB2216/FL, LG3020/FL, LGCB3020/FL, LG4030/FL, LGCB4030/FL, LB500/FL as well as all lightings which need an external controller
- configuration for other camera types on request
- no additional wiring effort necessary
- providing the power supply and the strobe signal (via OUT 1) for the light
- max. 10 m camera connection cable permitted

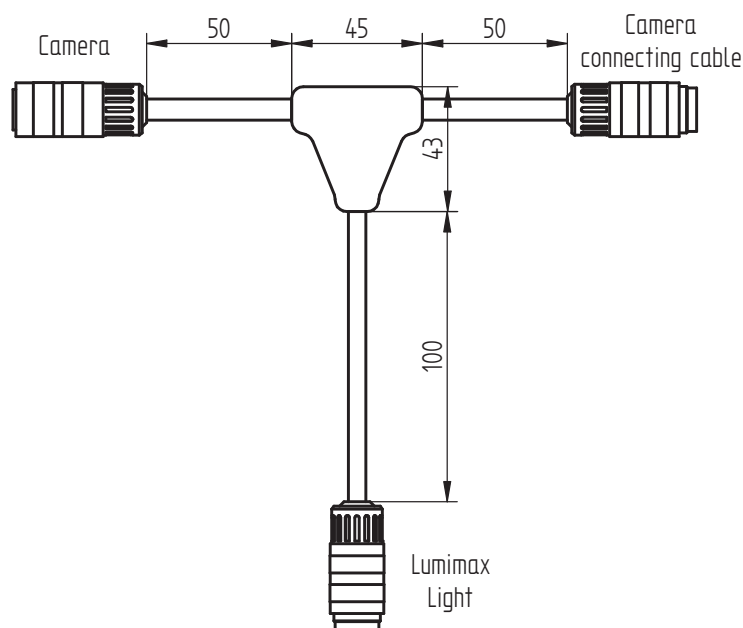


Price list: page 385 of the main product catalogue

Internal wiring and pin assignment



Technical drawing



LUMIMAX[®] T1-Adapter cable MV440 - Technical Data



- enables a direct connection of LUMIMAX[®] LED lights* to Siemens Simatic MV440 cameras

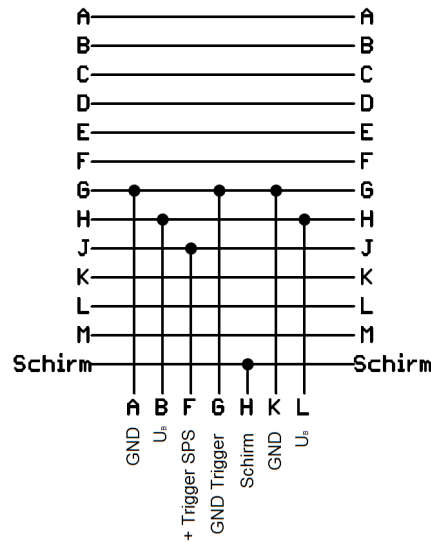
** exceptions: SQ2216/FL, SQCB2216/FL, LG3020/FL, LGCB3020/FL, LG4030/FL, LGCB4030/FL, LB500/FL as well as all lightings which need an external controller*

- configuration for other camera types on request
- no additional wiring effort necessary
- providing the power supply and the strobe signal for the light
- max. 10 m camera connection cable permitted



Price list: page 385 of the main product catalogue

Internal wiring and pin assignment



Technical drawing

