

LED Bar Flash Light LB125FL - Technical data



- LED Bar Light for flash operation
- 10 high performance Power LEDs / 5 high performance UV LEDs
- applicable as incident illumination, suited for matrix and line camera applications
- different lenses available as accessories
- integrated illumination controller
- brightness can be regulated internally (potentiometer) or externally with a VC analogue input
- adjustable flash times up to 220 µs
- different trigger modes
- robust industrial model, Aluminium casing, IP67
- 150 mm cable with an M16 12-pin plug
- drag chain connection cable with an M16 12-pin socket in different lengths available as accessory ↻ *please note page 211 of the main product catalogue*

LIFETIME
50.000h+

x=0,31
y=0,31

365nm


400nm

470nm

528nm

625nm

850nm



Strobe / Flash

CONTROLLER
INSIDE

With the following table you can assemble your desired type of lighting:*

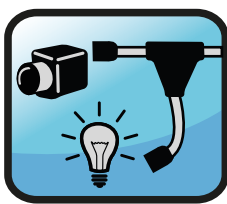
* A detailed product key explanation can be found on ↻ *Page 4* of the main product catalogue.

Model	Radiation angles (°) Ancillary lenses	Illumination colour	Flash time
LB125FL	16 ● 23 ● 44 ● 48x19 ●	R W B G IR850	100 220
	12 ● , white housing	UV365	
	12 ● , 24 ● , 30 ● , white housing	UV400	

Operation mode	Flash	
Operation voltage	19...30 V DC	wide range voltage input
Max. current	0,5 A / UV: 0,25 A	at 24 V
Trigger modes	TTL / SPS	TTL: rising slope at trigger input, min. 2,8 V DC, max. 30 V DC SPS: rising slope at trigger input, min. 15 V DC, max. 30 V DC
Flash times	10 - 100 µs / 20 - 220 µs	adjustable with potentiometer, max. flash frequency 100 Hz or 35 Hz
Brightness regulation	Potentiometer / VC	Potentiometer: 0...100 % or VC: 0...100 % when connected to a voltage of 2...10 V DC on the VC analogue input VC Input > 1 VDC then the potentiometer will be deactivated. We recommend: turn the potentiometer anti-clockwise during VC-operation.
Ambient temperature	5 - 45 °C / 37 - 113 °F	
Weight	0,5 kg	
Protection class	IP67	
Connection	M16 12-pin plug	150 mm drag chain cable with an M16 12-pin plug, IP67

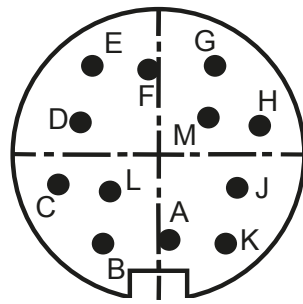


Price list: page 371 of the main product catalogue

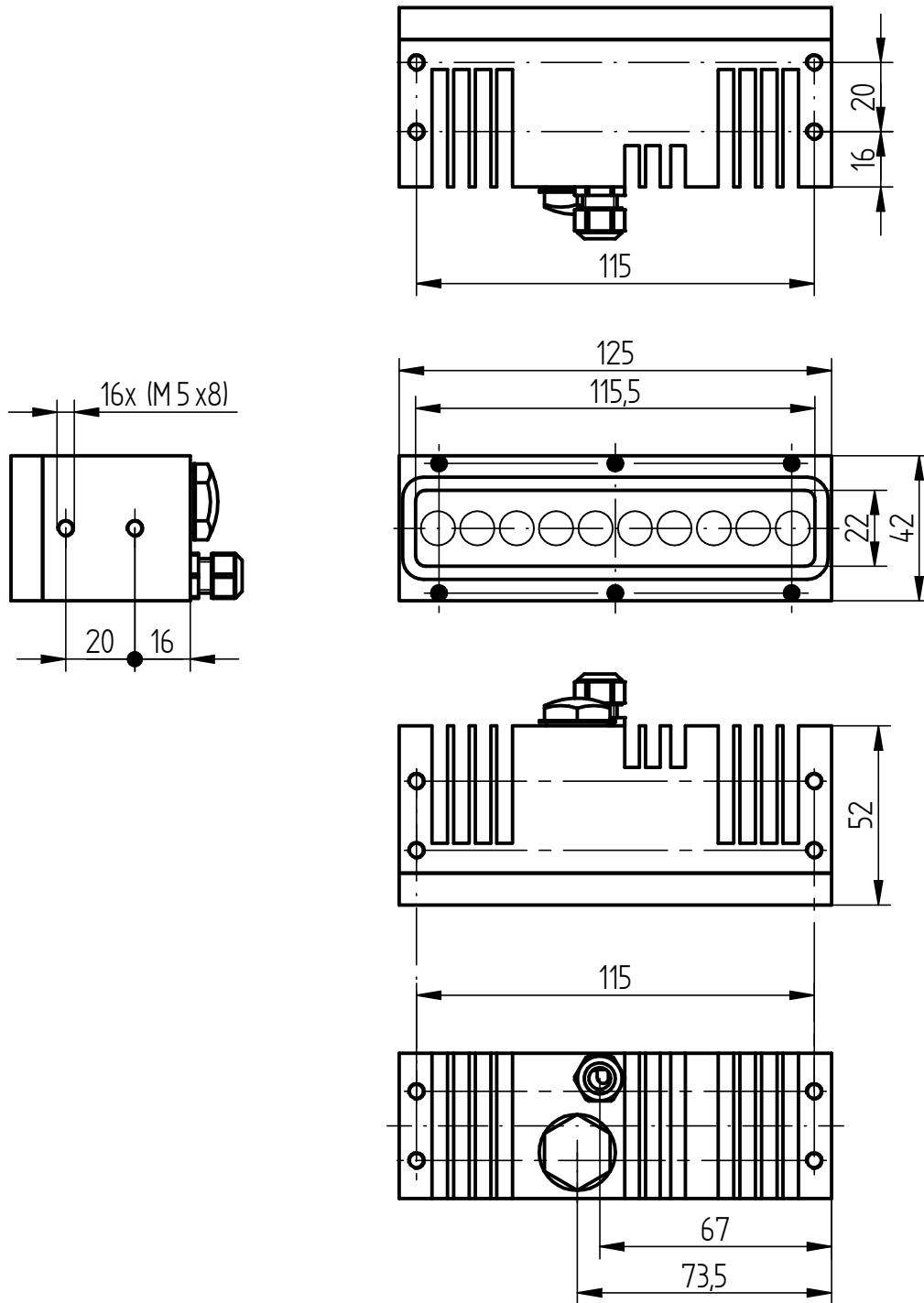


T1-Adapter cable: starting on page 212 of the main product catalogue

Pin arrangement M16 plug			
A+K	white	GND	GND Operation voltage
B+L	brown	U _B	Operation voltage
C	green	NC	NC
D	yellow	VC	Brightness regulation 1...10 V DC
E	grey	+ Trigger TTL	TTL >3 V, rising slope
F	pink	+Trigger SPS	SPS >15 V rising slope
G	blue	GND Trigger	GND trigger circuit
H	Shield	Shield	Shield connection
J	nc	NC	NC
M	nc	NC	NC



LED Bar Flash Light LB125FL (except UV) - Technical drawing



LED Bar Flash Light LB125FL-UV - Technical drawing

