

LED Area Flood Flash Light LQ100FL - Technical data



- LED Area Flood Light for flash operation
- 16 high performance Power LEDs / 9 high performance UV LEDs
- applicable as incident illumination, suited for matrix camera applications
- different lenses available as accessories
- integrated illumination controller
- brightness can be regulated internally (potentiometer) or externally with a VC analogue input
- adjustable flash times up to 220 µs
- different trigger modes
- robust industrial model, Aluminium casing, IP67
- 150 mm cable with an M16 12-pin plug
- drag chain connection cable with an M16 12-pin socket in different lengths available as accessory [↪ please note page 211 of the main product catalogue](#)
- M16 interface enables direct wiring of further lights

With the following table you can assemble your desired type of lighting:*

* A detailed product key explanation can be found on [↪ Page 4](#) of the main product catalogue.

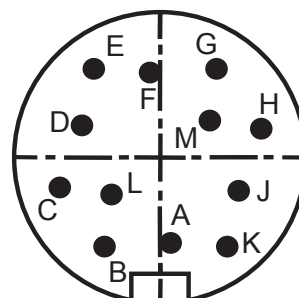
Available illumination variants

Model	Diffusing panel (optional)	Radiation angles (°) Ancillary lenses	Illumination colour	Flash time
LQ100FL	ALK (scope of supply) ALD ALHD ALF100 POL	14° , 28° , 36°	IR850	100 220
		10° , 31° , 49°	R W B G	
		12° , 18° , 27° square housing	UV365 UV400	

Operation mode	Flash	
Operation voltage	19...30 V DC	wide range voltage input
Max. current	0,9 A / UV: 0,3 A	at 24 V
Trigger modes	TTL / SPS	TTL: rising slope at trigger input, min. 2,8 V DC, max. 30 V DC SPS: rising slope at trigger input, min. 15 V DC, max. 30 V DC
Flash times	10 - 100 µs / 20 - 220 µs	adjustable with potentiometer, max. flash frequency 100 Hz or 35 Hz
Brightness regulation	Potentiometer / VC	Potentiometer: 0...100 % or VC: 0 - 100 % with VC-analogue input 2...10 V DC VC-voltage > 1 VDC -> potentiometer deactivated automatically, recommendation: turn the potentiometer fully anti-clockwise (left)
Ambient temperature	5 - 45 °C / 37 - 113 °F	
Weight	1,0 kg	
Protection class	IP67	
Connection	M16 12-pin plug	150 mm drag chain cable with an M16 12-pin plug, IP67

Pin arrangement M16 plug

A+K	white	GND	GND Operation voltage
B+L	brown	U _B	Operation voltage
C	green	NC	NC
D	yellow	VC	Brightness regulation 2...10 V DC
E	grey	+ Trigger TTL	TTL >3 V, rising slope
F	pink	+Trigger SPS	SPS >15 V rising slope
G	blue	GND Trigger	GND trigger circuit
H	Shield	Shield	Shield connection
J	nc	NC	NC
M	nc	NC	NC



LIFETIME
50.000h+

x=0,31
y=0,31

365nm

400nm

470nm

528nm

625nm

850nm



CONTROLLER
INSIDE

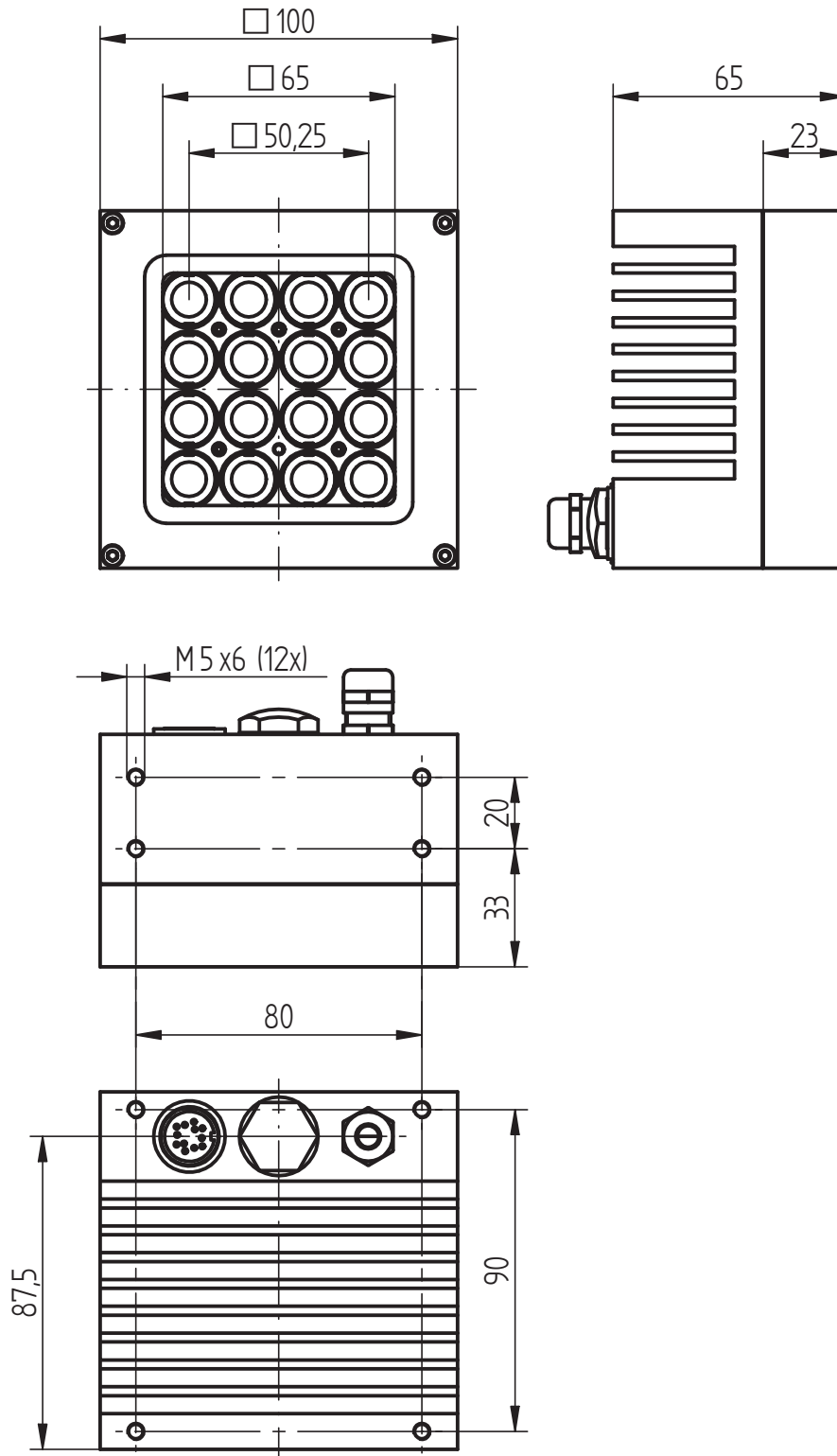


Price list: page 258 of the main product catalogue



T1-Adapter cable: starting on page 212 of the main product catalogue

LED Area Flood Flash Light LQ100FL (except UV) - Technical drawing



LED Area Flood Flash Light LQ100FL-UV - Technical drawing

