

# LED Ring Flood Light LR70 - Technical data



- LED Ring Flood Light for continuous / switch operation
- 16 high performance Power LEDs / 9 high performance UV LEDs
- applicable as incident illumination, suited for matrix camera applications
- different lenses available as accessories
- integrated illumination controller
- brightness can be regulated internally (potentiometer) or externally with a VC analogue input
- robust industrial model, Aluminium casing, IP67
- 150 mm cable with an M16 12-pin plug
- drag chain connection cable with an M16 12-pin socket in different lengths available as accessory [↩ please note page 211 of the main product catalogue](#)

With the following table you can assemble your desired type of lighting:\*

\* A detailed product key explanation can be found on [↩ Page 4](#) of the main product catalogue.

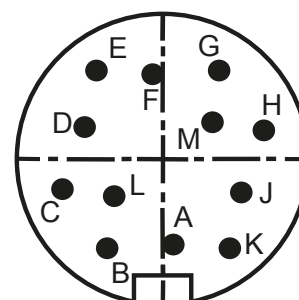
### Available illumination variants

Model	Diffusing panel (optional)	Radiation angles (°) Ancillary lenses	Illumination colour
LR70	ALK (scope of supply) ALD ALHD ALF100 POL	14°  , 28°  , 36°	IR850
		10°  , 31°  , 49°	R W B G
		12°  , white housing	UV365*
		12°  , 24°  , 30°  , white housing	UV400*

<b>Operation mode</b>	Continuous / switch	load-free switching via TTL and SPS input
<b>Operation voltage</b>	19...30 V DC	wide range voltage input
<b>Max. current</b>	1 A	at 24 V
<b>Brightness regulation</b>	Potentiometer / VC	Potentiometer: 0...100 % or VC: 0 – 100 % with VC-analogue input 1...10 V DC VC-voltage > 1 VDC -> potentiometer deactivated automatically, recommendation: turn the potentiometer fully anti-clockwise (left)
<b>Switch operation*</b>	TTL SPS	load-free, opto isolated switching inputs TTL - High = 3 – 30 V DC SPS – High = 15 – 30 V DC connect the GND trigger switching period is controlled via trigger signal
<b>Continuous operation</b>		The trigger input need a permanent high signal (e.g. connection of the operating voltage) for continuous mode connect the GND trigger
<b>Ambient temperature</b>	5 - 45 °C / 37 - 113 °F	
<b>Weight</b>	0,85 kg	
<b>Protection class</b>	IP67	
<b>Connection</b>	M16 12-pin plug	150 mm drag chain cable with an M16 12-pin plug, IP67

### Pin arrangement M16 plug

A+K	white	GND	GND Operation voltage
B+L	brown	U <sub>B</sub>	Operation voltage
C	green	NC	NC
D	yellow	VC	Brightness regulation 1...10 V DC
E	grey	+ ON / OFF TTL	Switching input, TTL > 3 V DC*
F	pink	+ ON / OFF SPS	Switching input, SPS > 15 V DC*
G	blue	GND ON / OFF	GND switch circuit*
H	Shield	Shield	Shield connection
J	nc	NC	NC
M	nc	NC	NC



**LIFETIME**  
50.000h+

x=0,31  
y=0,31

365nm

400nm

470nm

528nm

625nm

850nm

**CONTINUOUS**

**SWITCH**



**CONTROLLER**  
INSIDE



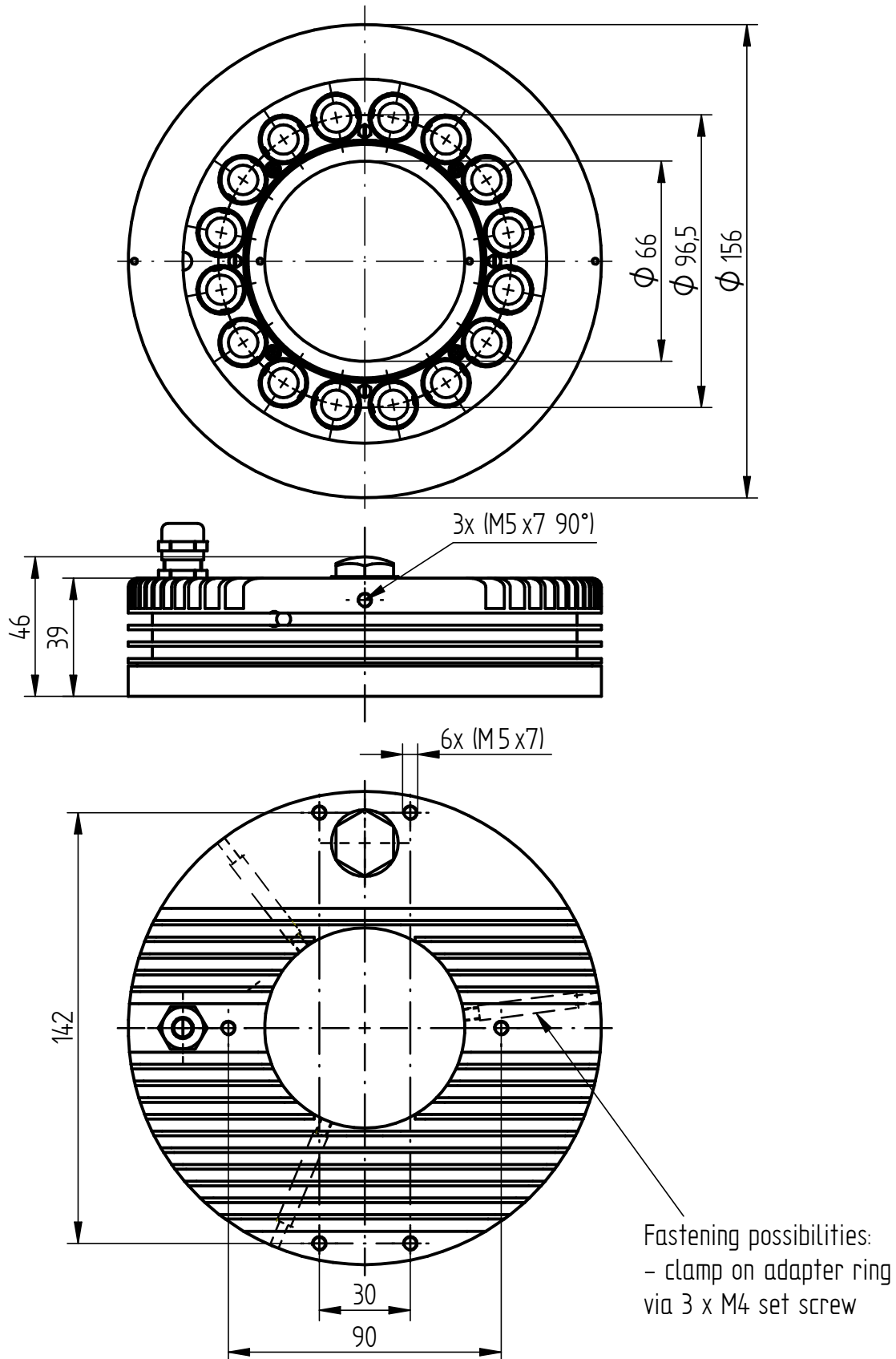
Price list: page 312 of the main product catalogue



Mounting solution:  
starting on page 225 of the main product catalogue

\* For the illumination colours UV365 and UV400 currently are no switching inputs available

# LED Ring Flood Light LR70 (except UV) - Technical drawing



# LED Ring Flood Light LR70-UV - Technical drawing

