

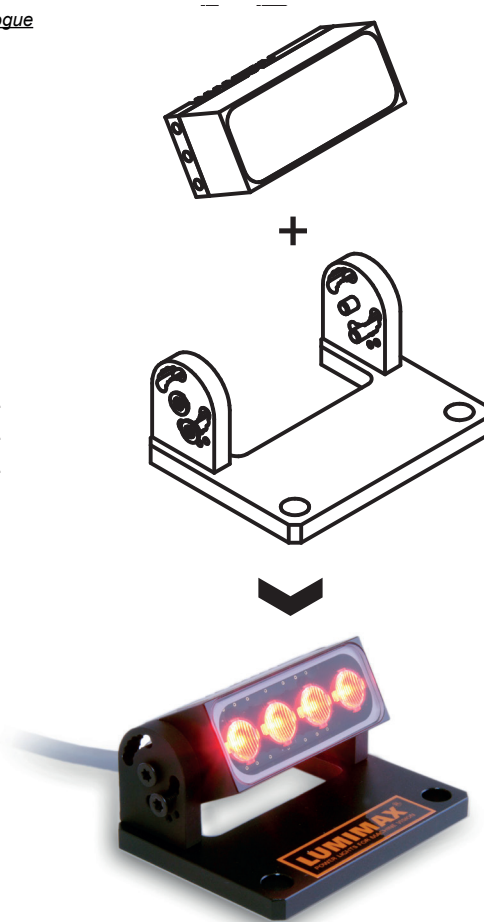
# LUMIMAX<sup>®</sup> mounting system MS1 for LSB-series



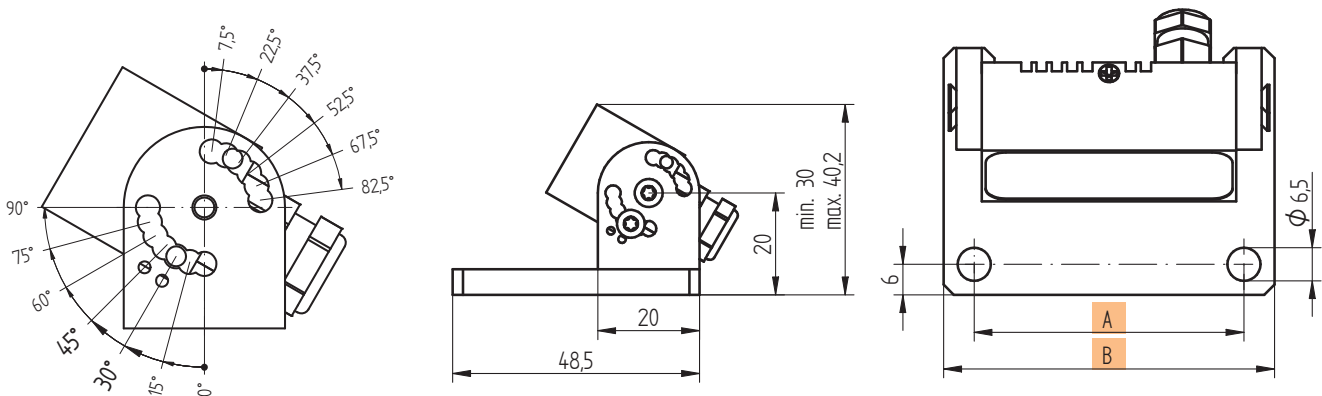
Price list: page 387 of the main product catalogue

**Mounting system for  
 1 bar light of the LSB series**  
 MS1-LSB50 for LSB50/ 50FL  
 MS1-LSB100 for LSB100/ 100FL  
 MS1-LSB150 for LSB150/ 150FL  
 MS1-LSB200 for LSB200/ 200FL

**LSB series consists of**  
 LSB50/ LSB50FL  
 LSB100/ LSB100FL  
 LSB150/ LSB150FL  
 LSB200/ LSB200FL



## Technical drawing:



## Size information for the respective lighting:

Lighting	A (mm)	B (mm)
LSB50 / LSB50FL	53	65
LSB100 / LSB100FL	103	115
LSB150 / LSB150FL	153	165
LSB200 / LSB200FL	203	215