

LUMIMAX[®] mounting system MS1 for LSB-series

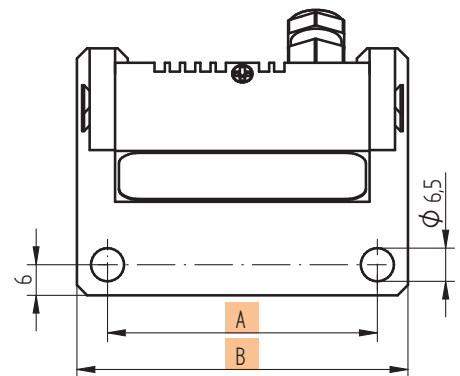
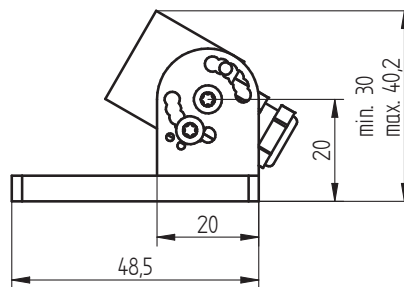
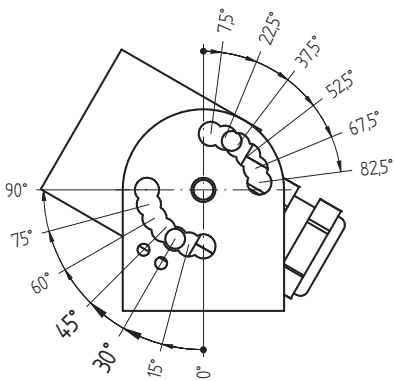
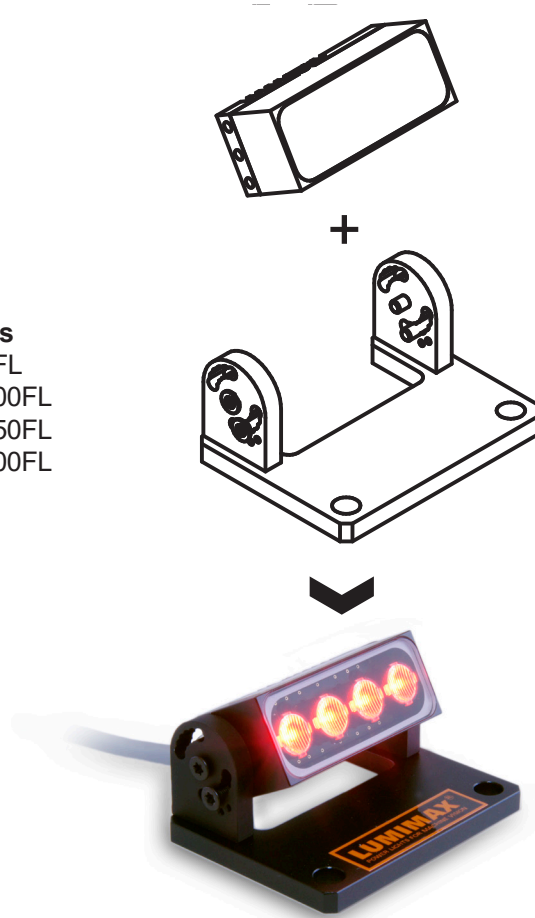
Mounting system for

1 bar light of the LSB series

MS1-LSB50 for LSB50/ 50FL
 MS1-LSB100 for LSB100/ 100FL
 MS1-LSB150 for LSB150/ 150FL
 MS1-LSB200 for LSB200/ 200FL

LSB series consists of

LSB50/ LSB50FL
 LSB100/ LSB100FL
 LSB150/ LSB150FL
 LSB200/ LSB200FL



Size information for the respective lighting:

Lighting	A (mm)	B (mm)
LSB50 / LSB50FL	53	65
LSB100 / LSB100FL	103	115
LSB150 / LSB150FL	153	165
LSB200 / LSB200FL	203	215