

LUMIMAX[®] T1-Adapter cable VeriSens XC - Technical Data

Product image

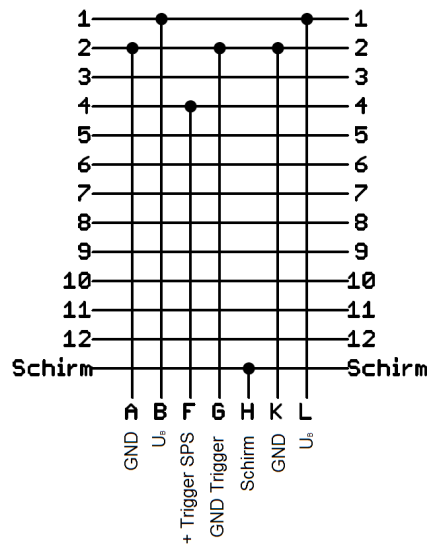


Picture may differ from the original product

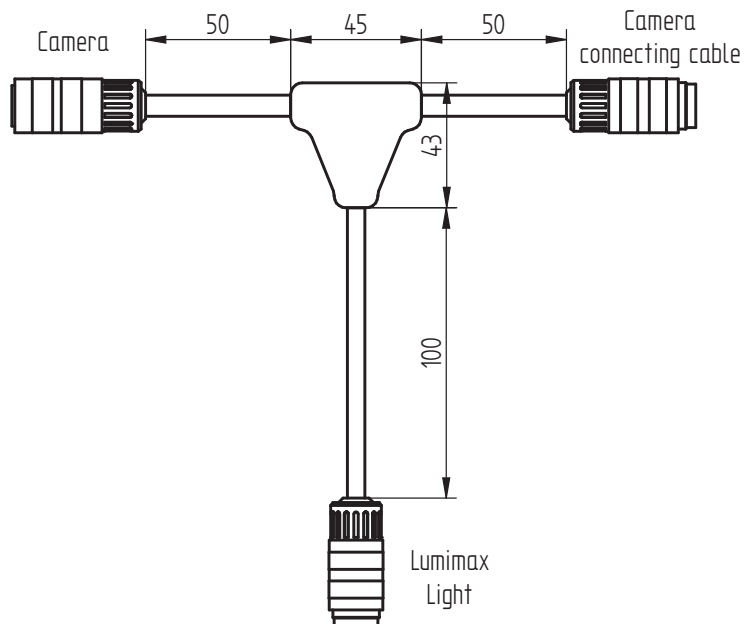
Description

- enables a direct connection of LUMIMAX[®] LED lights* to Baumer VeriSens XC cameras
**exceptions: SQ2216/FL, SQCB2216/FL, LG3020/FL, LGCB3020/FL, LG4030/FL, LGCB4030/FL, LB500/FL as well as all lightings which need an external controller*
- configuration for other camera types on request
- no additional wiring effort necessary
- providing the power supply and the strobe signal (via OUT 1) for the light
- max. 10 m camera connection cable permitted

Internal wiring and pin assignment



Technical drawing



LUMIMAX[®] T1-Adapter cable IS 5x and IS 7x - Technical Data

Product image



Picture may differ from the original product

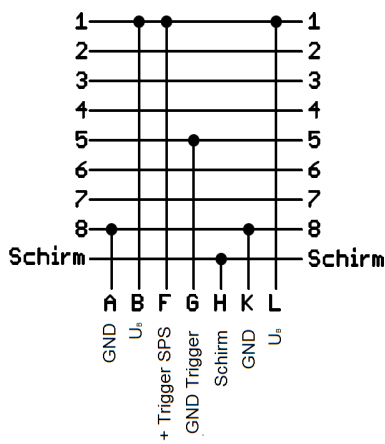
Description

- enables a direct connection of LUMIMAX[®] LED lights* to Cognex InSight 5x and 7x cameras
- *exceptions: SQ2216/FL, SQCB2216/FL, LG3020/FL, LGCB3020/FL, LG4030/FL, LGCB4030/FL, LB500/FL as well as all lightings which need an external controller
- configuration for other camera types on request
- no additional wiring effort necessary
- providing the power supply and the strobe signal (HS-Out 1 for IS 5x, IS 76xx and IS 78xx and HS-Out 0 for IS 70xx, IS 72xx and IS 74xx) for the light
- max. 10 m camera connection cable permitted

Internal wiring and pin assignment

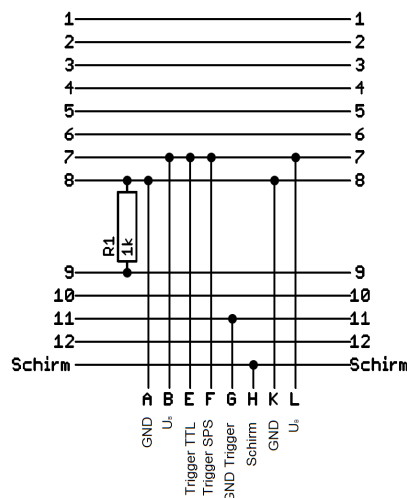
IS 5x

T1-Adapter cable IS5x



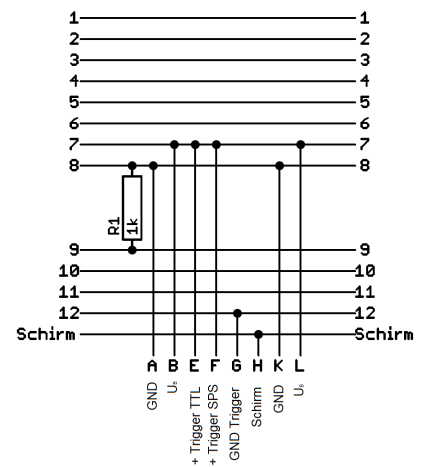
IS 70xx, IS 72xx, IS 74xx

T1-Adapter cable IS7x - GEN1

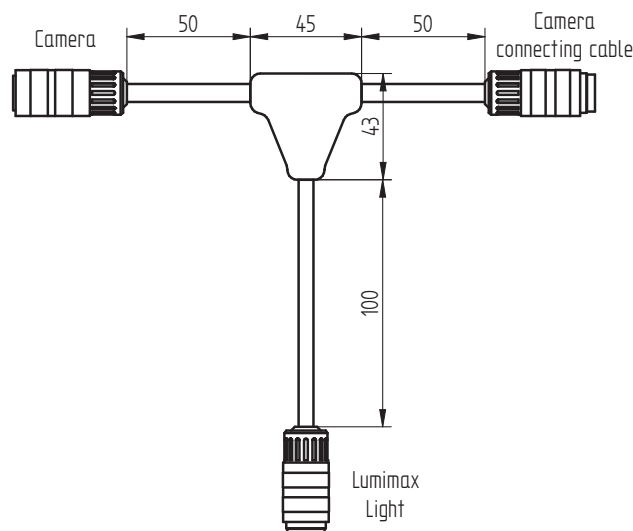


IS 76xx, IS 78xx

T1-Adapter cable IS7x - GEN2



Technical drawing



LUMIMAX[®] T1-Adapter cable MV440 - Technical Data

Product image

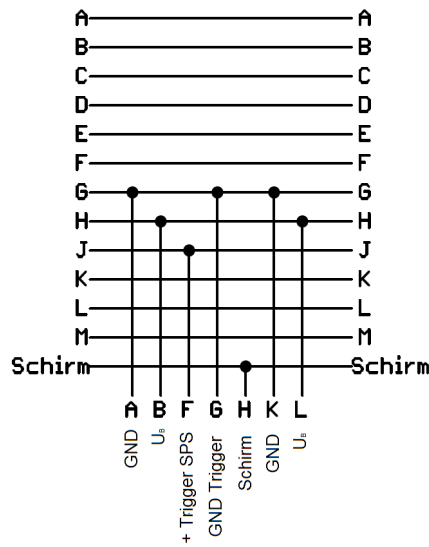


Picture may differ from the original product

Description

- enables a direct connection of LUMIMAX[®] LED lights* to Siemens Simatic MV440 cameras
**exceptions: SQ2216/FL, SQCB2216/FL, LG3020/FL, LGCB3020/FL, LG4030/FL, LGCB4030/FL, LB500/FL as well as all lightings which need an external controller*
- configuration for other camera types on request
- no additional wiring effort necessary
- providing the power supply and the strobe signal for the light
- max. 10 m camera connection cable permitted

Internal wiring and pin assignment



Technical drawing

